

Articolo / Article

COD.

Lavabo Equilibrium Ø40 h20. Installazione ad appoggio
Equilibrium Ø40 h20 washbasin . Countertop insallation

Bianco Europa / Europa White

35200101

Colorato / Coloured

Specificare il colore al momento dell'ordine

Specify the color when ordering

352001..



Lucidi / Shiny

Opachi / Matt



cm 40xh20

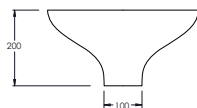
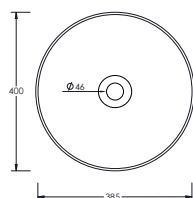
kg 5

Capienza bacino/Basin capacity

lt

pallet ita 20

pallet ex 40



TECNICAL SHEET n°:	DESIGNER: MASSIMILIANO BRACONI	CODE: 35200101	Alice Ceramica srl Via Sassacci, 17 - 01033 Civita Castellana (VT), Italy Tel [+39] 0761.598.328 [+39] 0761.513.252 Fax [+39] 0761.540.352 www.aliceceramica.com - info@aliceceramica.it				
SHEET FORMAT: A4	ISO	REVISION: 00				SCALE: 1:20	DATE: 15/09/2023
REGULATION: EN 14688 / EN 31 / Dop- 14688*	Pg: 1/2						
All the measurements respect the tollerances provided by the Alice Ceramica srl.							



Accessori per lavabo su piano Accessories for on counter washbasin



Piletta prolungata per fissaggio su piano scarico libero
Extended drain for countertop fixing free drain

COD.
PIL010



Sifone tondo in ottone finitura cromo
Round brass siphon chrome finish

SIF01



Sifone tondo in ottone finitura nero matt
Round brass siphon black matt finish

SIF01N

Accessori per lavabo su colonna Accessories for on column washbasin



Piletta in ceramica scarico libero
Ceramic free flow drain

COD.
PIL006



Piletta Up&Down
Up&Down drain

PIL008



Prolunga per fissaggio su colonna
Drain extension for fixing column

MPROCL



Sifone flessibile per colonna freestanding scarico terra
Flexible siphon for freestanding column with ground drainage



Colonna in ceramica freestanding con staffa di fissaggio
Ceramic column freestanding with fixing bracket

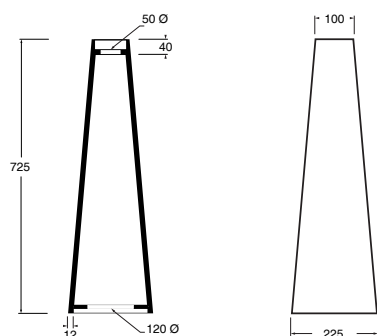
35001101



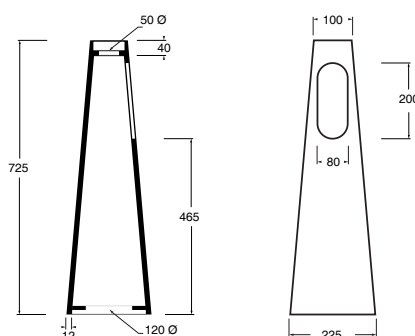
Colonna in ceramica scarico a parete con staffa di fissaggio
Ceramic column wall drain with fixing bracket

35000101

35001101



35000101



TECHNICAL SHEET n°:	DESIGNER: MASSIMILIANO BRACONI	CODE: 35200101			
SHEET FORMAT: A4	ISO	REVISION: 00	SCALE: 1:20	DATE: 15/09/2023	
REGULATION:	EN 14688 / EN 31 / Dop- 14688*			Pg: 2/2	
All the measurements respect the tollerances provided by the Alice Ceramica srl.					

Alice Ceramica srl
Via Sassacci, 17 - 01033
Civita Castellana (VT), Italy
Tel [+39] 0761.598.328 [+39] 0761.513.252
Fax [+39] 0761.540.352
www.aliceceramica.com - info@aliceceramica.it

