

Articolo / Article

COD.

Orinatoio Form sospeso
Form wall hung urinal

Bianco Europa / Europa White

22260101

Colorato / Coloured

Specificare il colore al momento dell'ordine

Specify the color when ordering

222601..

Orinatoio sospeso Form con fori per coprivaso
Form wall hung urinal with seat-cover holes

Bianco Europa / Europa White

22260101CW

Colorato CON FORI PER COPRIVASO / WITH SEAT-COVER HOLES

Specificare il colore al momento dell'ordine

Specify the color when ordering

222601..CW

Orinatoio Form sospeso con fotocellula
Form wall hung urinal with photocell

Bianco Europa / Europa White

22260101FC

Colorato CON FORO PER FOTOCELLULA / WITH SEAT-COVER HOLES

Specificare il colore al momento dell'ordine

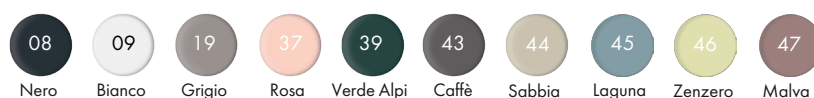
Specify the color when ordering

222601..FC



Lucidi / Shiny

Opachi / Matt



cm 68x45xh15,5

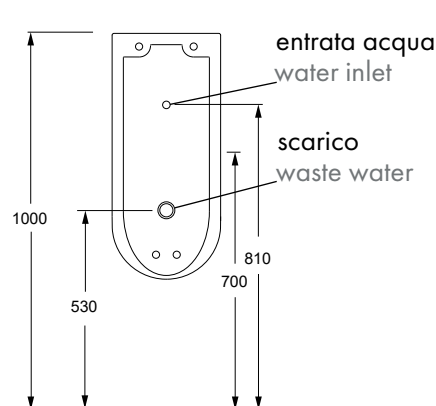
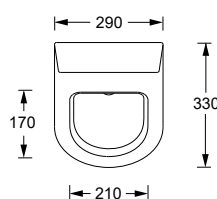
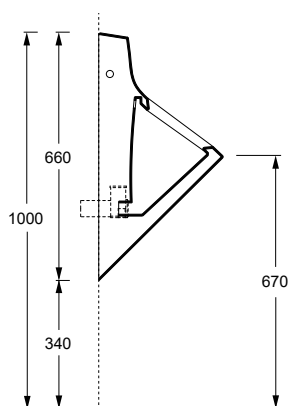
kg

Capienza bacino / Basin capacity

lt

pallet ita 20

pallet ex 40



TECNICAL SHEET n°: 21	DESIGNER: MASSIMILIANO BRACONI	CODE: 22260101			
SHEET FORMAT: A4	ISO	REVISION: 00	SCALE: 1:20	DATE: 05/12/2022	
REGULATION: EN 13407 / EN 80 / Dop- 13407*			Pg: 1/3		
All the measurements respect the tollerances provided by the Alice Ceramica srl.					

Alice Ceramica srl
Via Sassacci, 17 - 01033
Civita Castellana (VT), Italy
Tel [+39] 0761.598.328 [+39] 0761.513.252
Fax [+39] 0761.540.352
www.aliceceramica.com - info@aliceceramica.it



Accessori / Accessories



Sedile Form per orinatoio bianco
cerniere cromo
Form thermosetting chrome seat cover
for urinal

COD.

MSEDIFO



Kit sifone più fissaggi
Siphon + fixing kit

COD.

SIF04



Sedile Form per orinatoio bianco
cerniere cromo soft close
Form thermosetting seat cover for
urinal with chrome hinges soft close

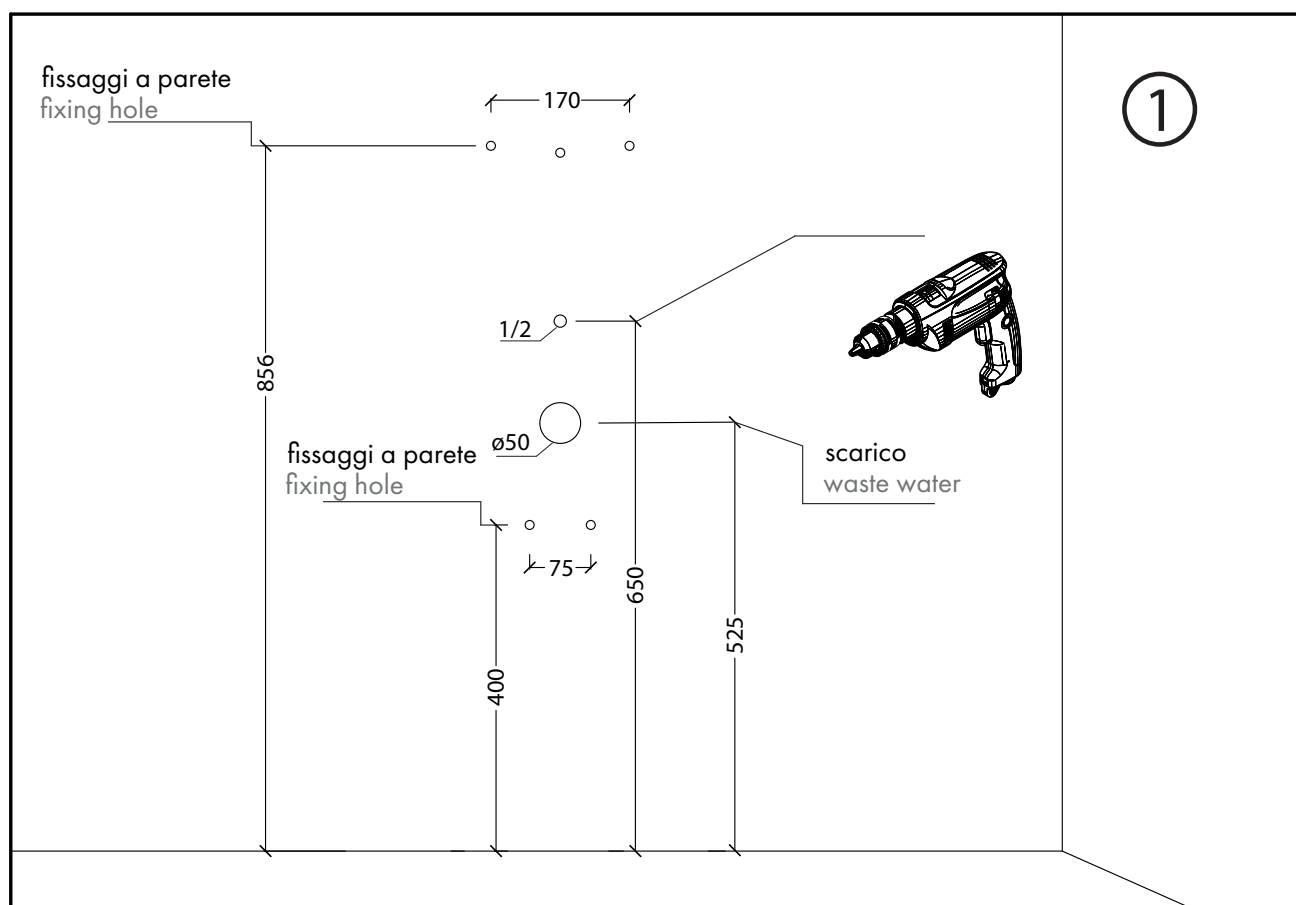
MSEDIFOS



Meccanismo di scarico
con fotocellula, sifone e fissaggi
Flushing mechanism with photocell,
siphon and fixing

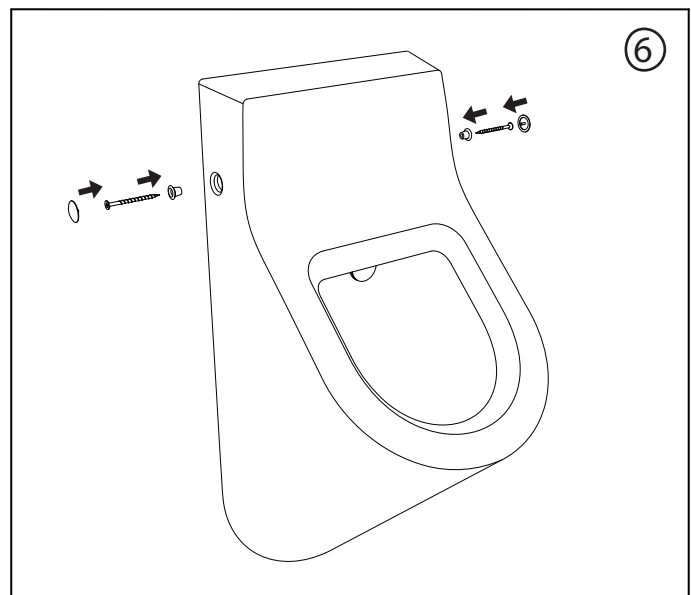
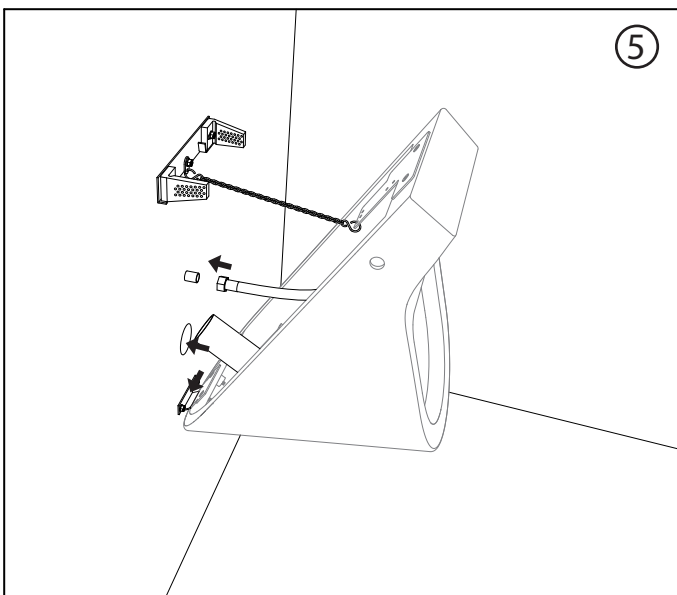
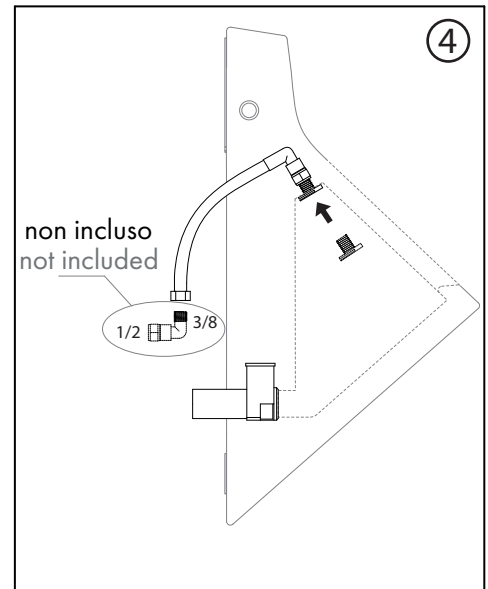
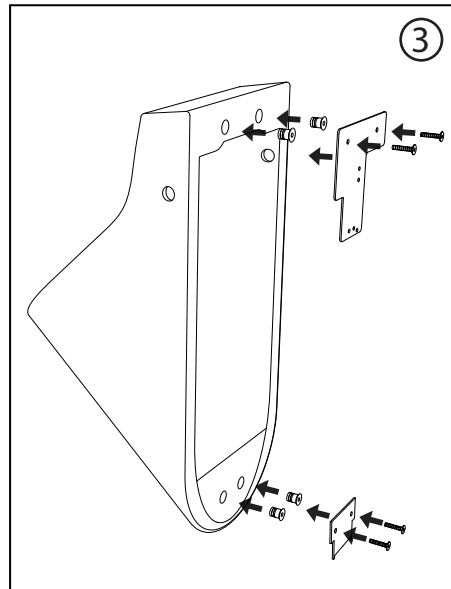
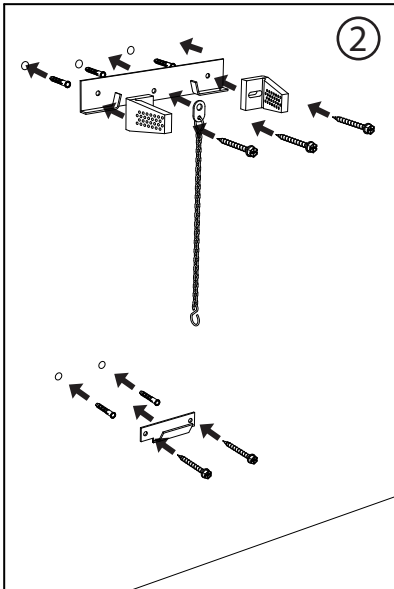
MBSFO

predisposizione a parete/wall preparation



TECHNICAL SHEET n°: 21	DESIGNER: MASSIMILIANO BRACONI	CODE: 22260101	Alice Ceramica srl Via Sassacci, 17 - 01033 Civita Castellana (VT), Italy Tel [+39] 0761.598.328 [+39] 0761.513.252 Fax [+39] 0761.540.352 www.aliceceramica.com - info@aliceceramica.it		
SHEET FORMAT: A4	ISO	REVISION: 00	SCALE: 1:20	DATE: 05/12/2022	
REGULATION: EN 13407 / EN 80 / Dop- 13407*	Pg: 2/3				
All the measurements respect the tollerances provided by the Alice Ceramica srl.					

* Regulations here shown are exclusively referred to ceramic items



TECNICAL SHEET n°: 21	DESIGNER: MASSIMILIANO BRACONI	CODE: 22260101		
SHEET FORMAT: A4	ISO	REVISION: 00	SCALE: 1:20	DATE: 05/12/2022
REGULATION: EN 13407 / EN 80 / Dop- 13407*				Pg: 3/3
All the measurements respect the tollerances provided by the Alice Ceramica srl.				

* Regulations here shown are exclusively referred to ceramic items

Alice Ceramica srl
 Via Sassacci, 17 - 01033
 Civita Castellana (VT), Italy
 Tel [+39] 0761.598.328 [+39] 0761.513.252
 Fax [+39] 0761.540.352
 www.aliceceramica.com - info@aliceceramica.it

