

Articolo / Article

COD.

Lavabo Form 65x40. Installazione ad appoggio.
Form 65x40 washbasin. Countertop installation.

Bianco Europa / Europa White

22400101

Colorato / Coloured

Specificare il colore al momento dell'ordine

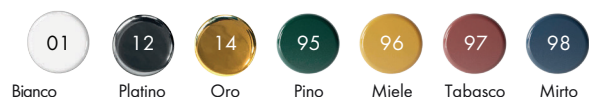
Specify the color when ordering

224001..



Lucidi / Shiny

Opachi / Matt



cm 65x40xh12

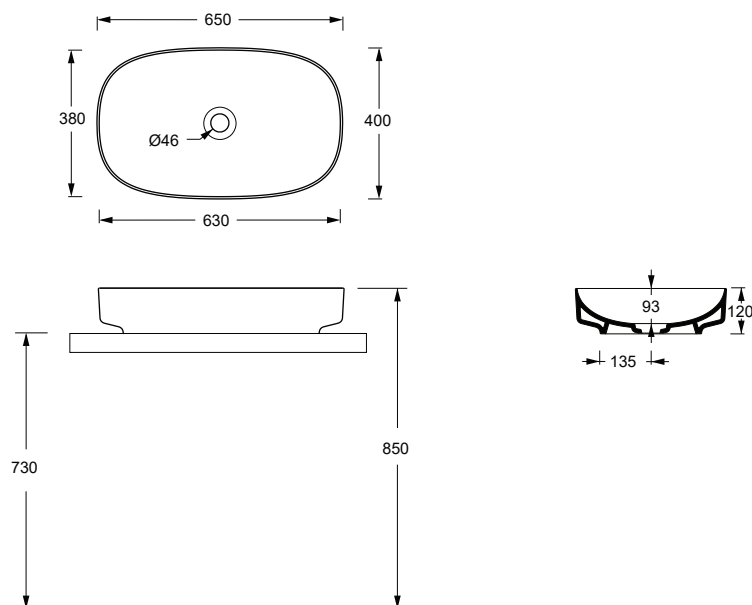
kg 12,5

Capienza Bacino / Basin capacity

lt 12,5

pallet ita 20

pallet ex 40



Accessori / Accessories



Piletta in ceramica scarico libero
Ceramic free flow drain

COD.

PIL006



Piletta Up&Down
Up&Down drain

COD.

PIL008



Sifone tondo in ottone finitura cromo
Round brass siphon chrome finish

COD.

SIF01



Sifone tondo in ottone finitura nero matt
Round brass siphon black matt finish

COD.

SIF01N

TECNICAL SHEET n°: 05	DESIGNER: MASSIMILIANO BRACONI	CODE: 22400101	Alice Ceramica srl Via Sassacci, 17 - 01033 Civita Castellana (VT), Italy Tel [+39] 0761.598.328 [+39] 0761.513.252 Fax [+39] 0761.540.352 www.aliceceramica.com - info@aliceceramica.it		
SHEET FORMAT: A4	ISO	REVISION: 00	SCALE: 1:20	DATE: 22/11/2022	
REGULATION: EN 14688 / EN31 / Dop-14688*	Pg: 1/2				
All the measurements respect the tollerances provided by the Alice Ceramica srl.					

* Regulations here shown are exclusively referred to ceramic items