

Articolo / Article

COD.

Lavabo Form 45 .installazione ad appoggio  
Form 45 washbasin. countertop installation

Bianco Europa / Europa White

22420101

Colorato / Coloured

Specificare il colore al momento dell'ordine

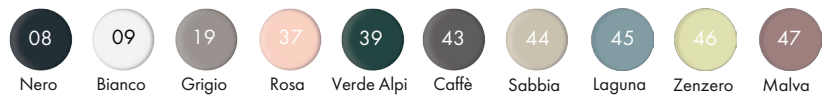
Specify the color when ordering

224201..



Lucidi / Shiny

Opachi / Matt



cm 45 h 12

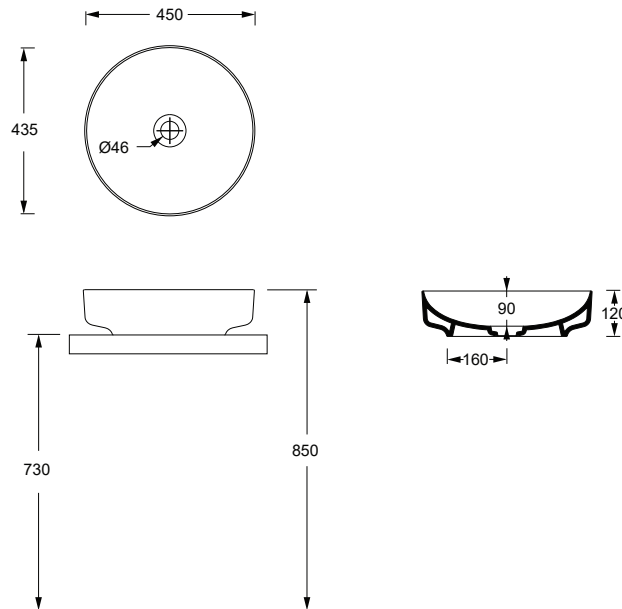
kg 8

Capienza bacino/Basin capacity

lt 8,5

pallet ita 20

pallet ex 40



Accessori / Accesories



Piletta in ceramica scarico libero  
Ceramic free flow drain

COD.

PIL006



Piletta Up&Down  
Up&Down drain

PIL008



Sifone tondo in ottone finitura cromo  
Round brass siphon chrome finish


COD.

SIF01



Sifone tondo in ottone finitura nero matt  
Round brass siphon black matt finish

SIF01N

TECNICAL SHEET n°: 14	DESIGNER: MASSIMILIANO BRACONI	CODE: 22420101	Alice Ceramica srl Via Sassacci, 17 - 01033 Civita Castellana (VT), Italy Tel [+39] 0761.598.328 [+39] 0761.513.252 Fax [+39]0761.540.352 www.aliceceramica.com - info@aliceceramica.it		
SHEET FORMAT: A4	ISO	REVISION: 00	SCALE: 1:20	DATE: 01/12/2022	
REGULATION: EN 14688 / EN 31 / Dop- 14688*			Pg: 1		
All the measurements respect the tollerances provided by the Alice Ceramica srl.					

\* Regulations here shown are exclusively referred to ceramic items