

Articolo / Article

COD.

Lavabo Form 68x45 MONOFORO. Installazione ad appoggio e sospeso
Form 68x45 washbasin SINGLE TAP HOLE . Countertop and wall hung insallation

Bianco Europa / Europa White

22490101

Colorato MONOFORO/ SINGLE TAP HOLE Coloured

Specificare il colore al momento dell'ordine

Specify the color when ordering

224901..

Lavabo Form 68x45 SENZA FORO. Installazione ad appoggio e sospeso

Form 68x45 washbasin NO TAP HOLE . Countertop and wall hung insallation

Bianco Europa / Europa White

22490101N

Colorato SENZA FORO/ NO TAP HOLE Coloured

Specificare il colore al momento dell'ordine

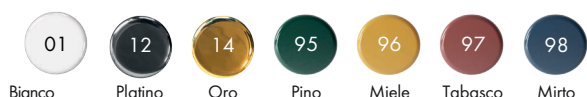
Specify the color when ordering

224901..N



Lucidi / Shiny

Opachi / Matt



cm 68x45xh15,5

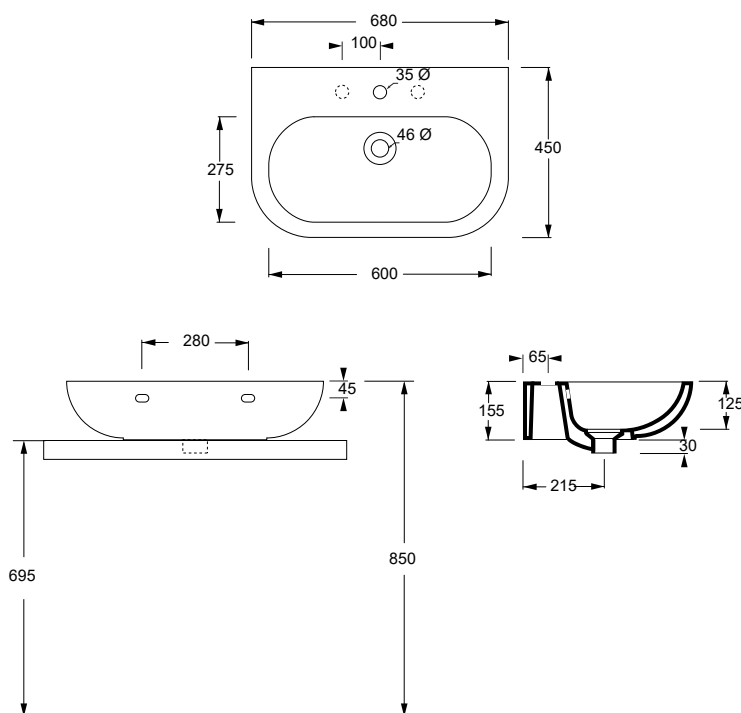
kg

Capienza bacino/Basin capacity

lt

pallet ita 20

pallet ex 40



TECNICAL SHEET n°: 21	DESIGNER: MASSIMILIANO BRACONI	CODE: 22490101			
SHEET FORMAT: A4	ISO	REVISION: 00	SCALE: 1:20	DATE: 05/12/2022	
REGULATION: EN 14688 / EN 31 / Dop- 14688*				Pg: 1/2	
All the measurements respect the tollerances provided by the Alice Ceramica srl.					

Alice Ceramica srl
Via Sassacci, 17 - 01033
Civita Castellana (VT), Italy
Tel [+39] 0761.598.328 [+39] 0761.513.252
Fax [+39]0761.540.352
www.aliceceramica.com - info@aliceceramica.it



* Regulations here shown are exclusively referred to ceramic items

Accessori / Accesories



Piletta in ceramica scarico libero
Ceramic free flow drain

COD.

PIL006



Sifone tondo in ottone finitura cromo
Round brass siphon chrome finish

COD.

SIF01



Piletta Up&Down
Up&Down drain

PIL008




Sifone tondo in ottone finitura nero matt
Round brass siphon black matt finish

SIF01N



Fissaggio per lavabo sospeso
Fixing screw for wall hung Washbasin

FIX01

TECHNICAL SHEET n°: 21	DESIGNER: MASSIMILIANO BRACONI	CODE: 22490101	Alice Ceramica srl Via Sassacci, 17 - 01033 Civita Castellana (VT), Italy Tel [+39] 0761.598.328 [+39] 0761.513.252 Fax [+39]0761.540.352 www.aliceceramica.com - info@aliceceramica.it				
SHEET FORMAT: A4	 ISO	REVISION: 00				SCALE: 1:20	DATE: 05/12/2022
REGULATION:	EN 14688 / EN 31 / Dop- 14688*					Pg: 2/2	
All the measurements respect the tollerances provided by the Alice Ceramica srl.							

* Regulations here shown are exclusively referred to ceramic items

