

Articolo / Article

COD.

Lavabo 60x45 MONOFORO. Installazione sospesa.  
Hide 60x45 washbasin SINGLE TAP HOLE .Wall hung installation

Bianco Europa / Europa White

31230101S

Colorato MONOFORO/ SINGLE TAP HOLE Coloured

Specificare il colore al momento dell'ordine

Specify the color when ordering

312301..S

Lavabo Hide 60x45 SENZA FORO. Installazione sospesa.

Hide 60x45 washbasin NO TAP HOLE . Wall hung installation

Bianco Europa / Europa White

31230101SN

Colorato SENZA FORO/ NO TAP HOLE Coloured

Specificare il colore al momento dell'ordine

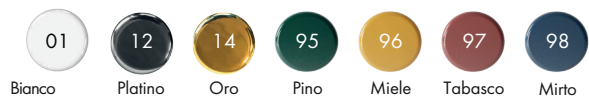
Specify the color when ordering

312301..SN



Lucidi / Shiny

Opachi / Matt



cm 60x45xh13,5

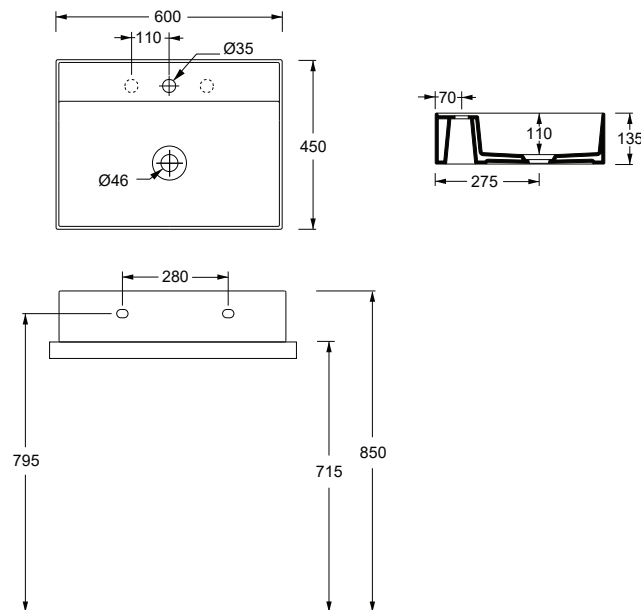
kg 17

Capienza bacino/Basin capacity

lt

pallet ita 18

pallet ex 36



TECNICAL SHEET n°: 54	DESIGNER: MASSIMILIANO BRACONI	CODE: 31230101S	Alice Ceramica srl Via Sassacci, 17 - 01033 Civita Castellana (VT), Italy Tel [+39] 0761.598.328 [+39] 0761.513.252 Fax [+39] 0761.540.352 www.aliceceramica.com - info@aliceceramica.it				
SHEET FORMAT: A4	ISO	REVISION: 00				SCALE: 1:20	DATE: 22/12/2022
REGULATION: EN 14688 / EN 31 / Dop- 14688*		Pg: 1/2					
All the measurements respect the tollerances provided by the Alice Ceramica srl.							

\* Regulations here shown are exclusively referred to ceramic items



## Accessori / Accesories

COD.



Piletta in ceramica scarico libero  
Ceramic free flow drain

PILO06



Piletta Up&Down  
Up&Down drain

PILO08



Fissaggio per lavabo sospeso  
Fixing screw for wall hung Washbasin

FIX01



Sifone tondo in ottone finitura cromo  
Round brass siphon chrome finish

COD.

SIF01



Sifone tondo in ottone finitura nero matt  
Round brass siphon black matt finish

SIF01N



Porta salvietta finitura cromo  
Towel holder chrome finish

PA60H



Porta salvietta finitura nero matt  
Towel holder black matt finish

PA60HN

TECNICAL SHEET n°: 54	DESIGNER: MASSIMILIANO BRACONI	CODE: 31230101S	Alice Ceramica srl Via Sassacci, 17 - 01033 Civita Castellana (VT), Italy Tel [+39] 0761.598.328 [+39] 0761.513.252 Fax [+39]0761.540.352 www.aliceceramica.com - info@aliceceramica.it		
SHEET FORMAT: A4	ISO	REVISION: 00	SCALE: 1:20	DATE: 22/12/2022	
REGULATION: EN 14688 / EN 31 / Dop- 14688*	Pg: 2/2				
All the measurements respect the tollerances provided by the Alice Ceramica srl.					

\* Regulations here shown are exclusively referred to ceramic items