

Articolo / Article

COD.

Lavabo Hide 120x45 MONOFORO. Installazione sospesa.
Hide 120x45 washbasin SINGLE TAP HOLE . Wall hung installation

Bianco Europa / Europa White

31260101S

Colorato MONOFORO/ SINGLE TAP HOLE Coloured

Specificare il colore al momento dell'ordine

Specify the color when ordering

312601..S

Lavabo Hide 120x45 SENZA FORO. Installazione sospesa.

Hide 120x45 washbasin NO TAP HOLE . Wall hung installation

Bianco Europa / Europa White

31260101SN

Colorato SENZA FORO/ NO TAP HOLE Coloured

Specificare il colore al momento dell'ordine

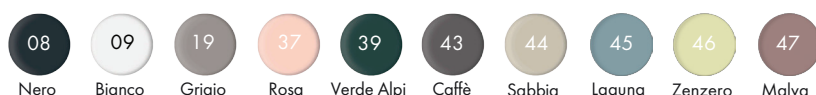
Specify the color when ordering

312601..SN



Lucidi / Shiny

Opachi / Matt



cm 120x45xh13,5

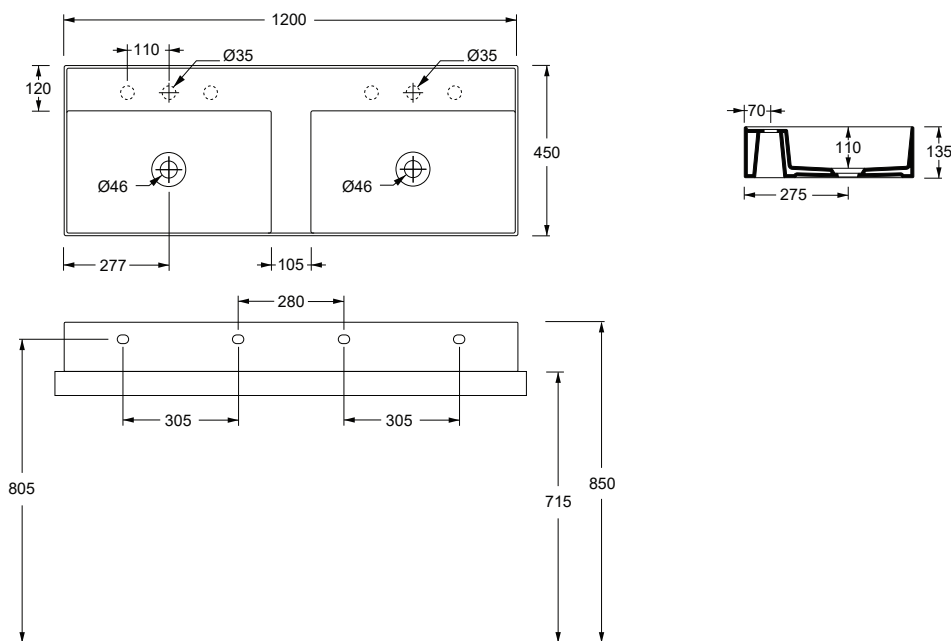
kg 35

Capienza bacino/Basin capacity

lt

pallet ita 14

pallet ex 28



TECNICAL SHEET n°: 56	DESIGNER: MASSIMILIANO BRACONI	CODE: 31260101S	Alice Ceramica srl Via Sassacci, 17 - 01033 Civita Castellana (VT), Italy Tel [+39] 0761.598.328 [+39] 0761.513.252 Fax [+39] 0761.540.352 www.aliceceramica.com - info@aliceceramica.it	
SHEET FORMAT: A4	ISO	REVISION: 00	SCALE: 1:20	DATE: 22/12/2022
REGULATION: EN 14688 / EN 31 / Dop- 14688*			Pg: 1/2	
All the measurements respect the tollerances provided by the Alice Ceramica srl.				



* Regulations here shown are exclusively referred to ceramic items

Accessori / Accesories

COD.



Piletta in ceramica scarico libero
Ceramic free flow drain

PILO06



Piletta Up&Down
Up&Down drain

PILO08



Fissaggio per lavabo sospeso
Fixing screw for wall hung Washbasin

FIX01



Sifone tondo in ottone finitura cromo
Round brass siphon chrome finish

COD.

SIF01



Sifone tondo in ottone finitura nero matt
Round brass siphon black matt finish

SIF01N



Porta salvietta finitura cromo
Towel holder chrome finish

PA50H



Porta salvietta finitura nero matt
Towel holder black matt finish

PA50HN

TECNICAL SHEET n°: 56	DESIGNER: MASSIMILIANO BRACONI	CODE: 31260101S		
SHEET FORMAT: A4	ISO	REVISION: 00	SCALE: 1:20	DATE: 22/12/2022
REGULATION:	EN 14688 / EN 31 / Dop- 14688*			Pg: 2/2
All the measurements respect the tollerances provided by the Alice Ceramica srl.				

Alice Ceramica srl
Via Sassacci, 17 - 01033
Civita Castellana (VT), Italy
Tel [+39] 0761.598.328 [+39] 0761.513.252
Fax [+39] 0761.540.352
www.aliceceramica.com - info@aliceceramica.it



* Regulations here shown are exclusively referred to ceramic items