

Articolo / Article

COD.

Lavabo Spy 61x46 MONOFORO. Installazione ad appoggio e sospesa.
 Spy 61x46 washbasin SINGLE TAP HOLE. Countertop and wall hung installation.

Bianco Europa / Europa White 34320101

Colorato MONOFORO/ SINGLE TAP HOLE Coloured

Specificare il colore al momento dell'ordine

Specify the color when ordering

343201..

Lavabo Spy 61x46 SENZA FORO. Installazione ad appoggio e sospesa.
 Spy 61x46 washbasin NO TAP HOLE. Countertop and wall hung installation.

Bianco Europa / Europa White 34320101N

Colorato SENZA FORO/ NO TAP HOLE Coloured

Specificare il colore al momento dell'ordine

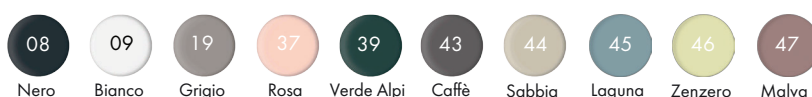
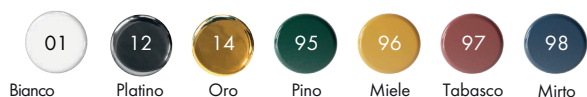
Specify the color when ordering

343201..N



Lucidi / Shiny

Opachi / Matt



cm 61x46xh13,5

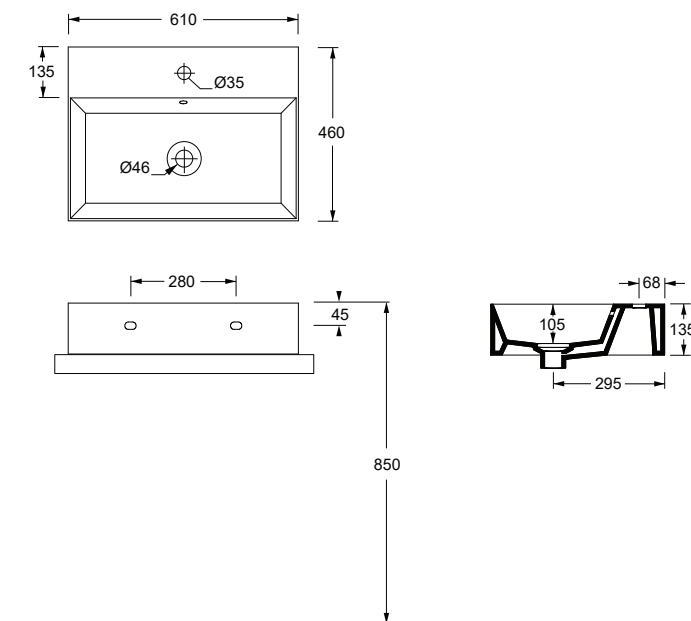
kg 20

Capienza bacino/Basin capacity

lt

pallet ita 16

pallet ex 32



TECNICAL SHEET n°: 75	DESIGNER: MASSIMILIANO BRACONI	CODE: 34320101	Alice Ceramica srl Via Sassacci, 17 - 01033 Civita Castellana (VT), Italy Tel [+39] 0761.598.328 [+39] 0761.513.252 Fax [+39]0761.540.352 www.aliceceramica.com - info@aliceceramica.it				
SHEET FORMAT: A4	ISO	REVISION: 00				SCALE: 1:20	DATE: 06/03/2023
REGULATION: EN 14688 / EN 31 / Dop- 14688*						Pg: 1/2	
All the measurements respect the tollerances provided by the Alice Ceramica srl.							



* Regulations here shown are exclusively referred to ceramic items

Accessori / Accesories

COD.



Piletta in ceramica scarico libero
Ceramic free flow drain

PILO06

PILO08



Piletta Up&Down
Up&Down drain



Fissaggio per lavabo sospeso
Fixing screw for wall hung Washbasin

FIX01



Sifone tondo in ottone finitura cromo
Round brass siphon chrome finish

COD.

SIF01



Sifone tondo in ottone finitura nero matt
Round brass siphon black matt finish

SIF01N



Porta salvietta finitura cromo
Towel holder chrome finish

PA60H



Porta salvietta finitura nero matt
Towel holder black matt finish

PA60HN

TECHNICAL SHEET n°: 75	DESIGNER: MASSIMILIANO BRACONI	CODE: 34320101		
SHEET FORMAT: A4	ISO	REVISION: 00	SCALE: 1:20	DATE: 06/03/2023
REGULATION:	EN 14688 / EN 31 / Dop- 14688*			Pg: 2/2
All the measurements respect the tollerances provided by the Alice Ceramica srl.				

Alice Ceramica srl
Via Sassacci, 17 - 01033
Civita Castellana (VT), Italy
Tel [+39] 0761.598.328 [+39] 0761.513.252
Fax [+39] 0761.540.352
www.aliceceramica.com - info@aliceceramica.it

