

Articolo / Article

COD.

Lavabo Unica Round 40. Installazione ad appoggio.
Unica Round 40 washbasin. Countertop installation.

Bianco Europa / Europa White

32180101

Colorato / Coloured

Specificare il colore al momento dell'ordine

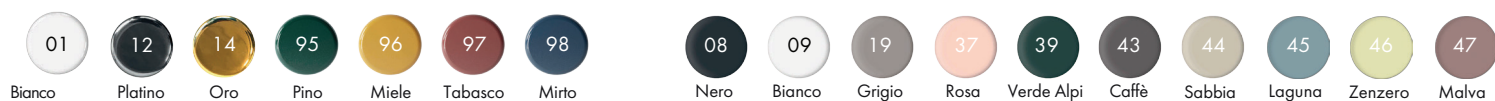
Specify the color when ordering

321801..



Lucidi / Shiny

Opachi / Matt



cm 40xh20

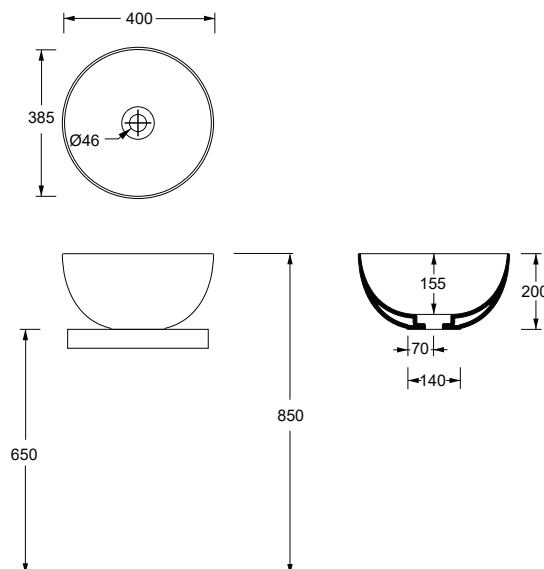
kg 8

Capienza Bacino / Basin capacity

lt 13

pallet ita 30

pallet ex 42



Accessori / Accessories



Piletta in ceramica scarico libero
Ceramic free flow drain

COD.

PIL006



Piletta Up&Down
Up&Down drain

PIL008



Sifone tondo in ottone finitura cromo
Round brass siphon chrome finish

COD.

SIF01



Sifone tondo in ottone finitura nero matt
Round brass siphon black matt finish

SIF01N

TECNICAL SHEET n°: 02	DESIGNER: MASSIMILIANO BRACONI	CODE: 32180101	Alice Ceramica srl Via Sassacci, 17 - 01033 Civita Castellana (VT), Italy Tel [+39] 0761.598.328 [+39] 0761.513.252 Fax [+39] 0761.540.352 www.aliceceramica.com - info@aliceceramica.it	
SHEET FORMAT: A4	ISO	REVISION: 00	SCALE: 1:20	DATE: 30/11/2022
REGULATION: CE EN 14688 / EN31 / Dop-14688*			Pg: 1	
All the measurements respect the tollerances provided by the Alice Ceramica srl.				

* Regulations here shown are exclusively referred to ceramic items

